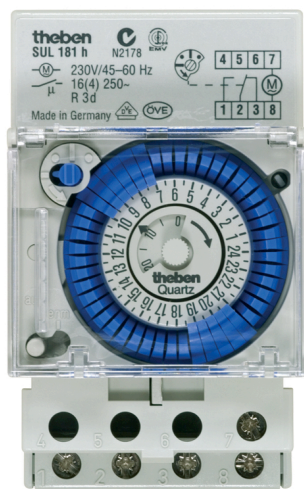


SUL 181 h

Article number: 1810008

Description

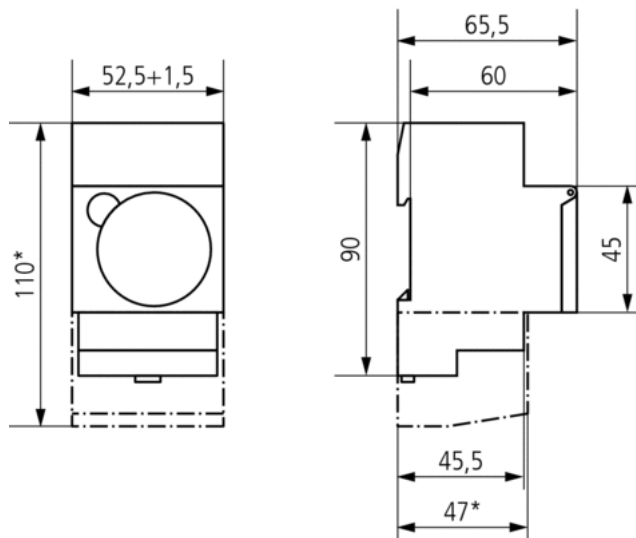


- Analogue time switch
- 1 channel
- Daily program
- With power reserve (NiMH rechargeable battery)
- Synchronised with mains
- Shortest switching time: 30 minutes
- Simple summer/winter time correction
 - Time can be changed clockwise or anti-clockwise
- 48 switching segments
- Screw terminals
- Switching preselection
- Permanent ON/OFF switch
- Switching status display
- Operation control display

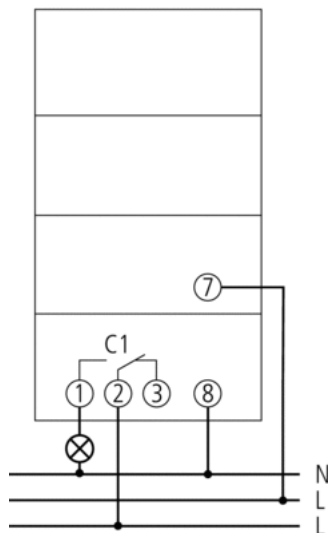
Technical data

Operating voltage	230 V AC
Frequency	50 – 60 Hz
Number of channels	1
Program	Daily program
Width	3 modules
Installation type	DIN rail
Type of connection	Screw terminals
Drive	Quartz-controlled stepper motor
Program	Daily program
Power reserve	3 days
Switching capacity at 250 V AC, cos φ = 1	16 A
Switching capacity at 250 V AC, cos φ = 0,6	4 A
Shortest switching times	30 min
Programmable all	30 min
Time accuracy	≤ ± 1 s/day (quartz)
Type of contact	Changeover contact
Switching output	Potential-free and phase-independent
Number of switching segments	48
Stand-by consumption	0,1 W
Test approval	VDE
Housing and insulation material	High-temperature resistant, self-extinguishing thermoplastic
Type of protection	IP 20
Protection class	II as per EN 60 730-1
Ambient temperature	-20 °C ... +50 °C

Scale drawings



Connection example



Accessories

Front panel kit

- Article number: 9070001
Details ▶ www.theben.de



Terminal cover 52,5 mm

- Article number: 9070061
Details ▶ www.theben.de

