

Technical Data Sheet

Compressor model **GS26TB_T**
 Voltage **220-240V 50Hz ~1**
 Refrigerant **R134a**

APPLICATION

COMPRESSOR

MOTOR

Application	High-Medium Back Pressure	Displacement	25,93 cm ³	Nominal Power	3/4 hp
Refrigerant	R134a	Diameter	39,98 mm	Voltage/Frequency	220-240V 50Hz
Evaporating Temp.	-25,0 °C to 10,0 °C	Stroke	20,65 mm	Voltage range	187-255 V
Expansion	Capillar/Valve	Net Weight	22,70 Kg	Type	CSIR
Comp. Cooling	Fan cooled	Oil type	ISO VG 32 ESTER	Phase number	1 PH
Max. ambient temp.	43,0 °C	Oil charge	887 cm ³	Locked Rotor Amps (LRA)	32,00 A
Compatible refriger.	R1234yf			Max. Cont. Current (MCC)	8,70 A
				Main W. resist. at 25°C	2,39 Ω
				Start W. resist. at 25°C	16,00 Ω

NOMINAL PERFORMANCE

	ASHRAE	CECOMAF
Cooling Capacity	2.140 kCal/h	2.070 W
COP	2,42 W/W	2,08 W/W
EER	2,08 kCal/Wh	1,80 kCal/Wh
Input Power	1.030 W	996 W
Current	6,30 A	6,15 A

APPROVALS



TEST CYCLE CONDITIONS

	ASHRAE HMBP (D)	CECOMAF HMBP (C)
Evaporating temp. (T _e)	7,2 °C	5,0 °C
Condensing temp. (T _c)	55,0 °C	55,0 °C
Liquid temp. (T _{liq.})	46,0 °C	55,0 °C
Ambient temp. (T _{amb.})	35,0 °C	32,0 °C
Suction temp. (T _{suction})	35,0 °C	32,0 °C
Voltage/Frequency	220 V 50 Hz	220 V 50 Hz

ELECTRICAL COMPONENTS

Starting capacitor	88-108 µF 330 V			
Relay	Option 1	Option 2		
Reference	3ARR3 3AV3	RVA 2L..		
Pick-Up	224-252 V	224-252 V		
Drop-Out	40-90 V	40-105 V		
Protector	Option 1	Option 2		
Reference	MRA38152	T0260		
Current	27,50 A	22,00 A		
Time check	2,8-5,2 seg	7,5-14 seg		
Disc temp. (Open/Close)	105,00 / 52,00 °C	105,00 / 52,00 °C		

ASHRAE

Tc °C	Te °C	Cooling Capacity kCal/h	Consumption W	Current A	COP W/W	EER kCal/Wh
40	-25	450	420	4,17	1,25	1,07
40	-20	694	493	4,36	1,64	1,41
40	-15	976	564	4,57	2,01	1,73
40	-10	1.298	632	4,78	2,39	2,05
40	-5	1.658	698	4,99	2,76	2,37
40	0	2.057	762	5,22	3,14	2,70
40	5	2.495	824	5,45	3,52	3,03
40	7,2	2.700	850	5,55	3,69	3,18
40	10	2.972	883	5,68	3,91	3,37

45	-25	383	410	4,15	1,09	0,93
45	-20	608	494	4,37	1,43	1,23
45	-15	872	575	4,60	1,76	1,52
45	-10	1.175	655	4,85	2,09	1,79
45	-5	1.517	732	5,11	2,41	2,07
45	0	1.897	806	5,38	2,74	2,35
45	5	2.317	879	5,66	3,07	2,64
45	7,2	2.513	910	5,79	3,21	2,76
45	10	2.775	949	5,95	3,40	2,92

50	-25	317	400	4,12	0,92	0,79
50	-20	523	495	4,37	1,23	1,06
50	-15	768	587	4,64	1,52	1,31
50	-10	1.053	677	4,92	1,81	1,55
50	-5	1.376	765	5,23	2,09	1,80
50	0	1.737	851	5,55	2,37	2,04
50	5	2.138	934	5,89	2,66	2,29
50	7,2	2.327	970	6,04	2,79	2,40
50	10	2.578	1.015	6,23	2,95	2,54

55	-25	250	390	4,10	0,75	0,64
55	-20	438	496	4,37	1,03	0,88
55	-15	664	599	4,67	1,29	1,11
55	-10	930	700	5,00	1,55	1,33
55	-5	1.234	799	5,35	1,80	1,55
55	0	1.578	895	5,73	2,05	1,76
55	5	1.960	989	6,12	2,30	1,98
55	7,2	2.140	1.030	6,30	2,42	2,08
55	10	2.380	1.081	6,53	2,56	2,20

60	-25	183	380	4,08	0,56	0,48
60	-20	353	497	4,37	0,83	0,71
60	-15	561	611	4,71	1,07	0,92
60	-10	807	723	5,08	1,30	1,12
60	-5	1.093	832	5,48	1,53	1,31
60	0	1.418	940	5,91	1,76	1,51
60	5	1.781	1.045	6,37	1,98	1,71
60	7,2	1.953	1.090	6,57	2,08	1,79
60	10	2.183	1.147	6,85	2,21	1,90

65	-25	117	370	4,05	0,37	0,32
65	-20	267	497	4,38	0,62	0,54
65	-15	457	622	4,75	0,85	0,73
65	-10	685	745	5,16	1,07	0,92
65	-5	952	866	5,61	1,28	1,10
65	0	1.258	984	6,10	1,49	1,28
65	5	1.603	1.100	6,62	1,69	1,46
65	7,2	1.767	1.150	6,86	1,79	1,54
65	10	1.986	1.213	7,17	1,90	1,64

CECOMAF

Tc °C	Te °C	Cooling Capacity W	Consumption W	Current A	COP W/W	EER kCal/Wh
40	-25	485	422	4,18	1,15	0,99
40	-20	750	496	4,37	1,51	1,31
40	-15	1.055	567	4,58	1,86	1,61
40	-10	1.402	636	4,79	2,21	1,91
40	-5	1.789	702	5,01	2,55	2,20
40	0	2.217	767	5,23	2,89	2,50
40	5	2.686	829	5,47	3,24	2,80
40	7,2	2.906	855	5,57	3,40	2,93
40	10	3.196	889	5,70	3,60	3,11

45	-25	411	412	4,15	1,00	0,86
45	-20	654	497	4,37	1,32	1,14
45	-15	938	579	4,61	1,62	1,40
45	-10	1.262	658	4,86	1,92	1,66
45	-5	1.628	736	5,12	2,21	1,91
45	0	2.034	811	5,40	2,51	2,17
45	5	2.481	884	5,68	2,81	2,42
45	7,2	2.690	916	5,81	2,94	2,54
45	10	2.969	955	5,97	3,11	2,69

50	-25	338	402	4,13	0,84	0,73
50	-20	559	497	4,38	1,12	0,97
50	-15	820	590	4,65	1,39	1,20
50	-10	1.123	681	4,94	1,65	1,42
50	-5	1.466	770	5,25	1,90	1,65
50	0	1.850	856	5,57	2,16	1,87
50	5	2.275	940	5,91	2,42	2,09
50	7,2	2.475	976	6,06	2,54	2,19
50	10	2.741	1.022	6,26	2,68	2,32

55	-25	265	392	4,10	0,67	0,58
55	-20	463	498	4,38	0,93	0,80
55	-15	703	602	4,68	1,17	1,01
55	-10	984	704	5,01	1,40	1,21
55	-5	1.305	803	5,37	1,62	1,40
55	0	1.667	901	5,75	1,85	1,60
55	5	2.070	996	6,15	2,08	1,80
55	7,2	2.260	1.037	6,33	2,18	1,88
55	10	2.514	1.088	6,57	2,31	2,00

60	-25	191	382	4,08	0,50	0,43
60	-20	368	499	4,38	0,74	0,64
60	-15	586	614	4,72	0,95	0,82
60	-10	844	727	5,09	1,16	1,00
60	-5	1.143	837	5,50	1,37	1,18
60	0	1.484	945	5,93	1,57	1,36
60	5	1.864	1.051	6,40	1,77	1,53
60	7,2	2.045	1.097	6,61	1,86	1,61
60	10	2.286	1.155	6,88	1,98	1,71

65	-25	118	372	4,06	0,32	0,27
65	-20	273	500	4,38	0,55	0,47
65	-15	468	626	4,76	0,75	0,65
65	-10	705	749	5,17	0,94	0,81
65	-5	982	871	5,63	1,13	0,97
65	0	1.300	990	6,12	1,31	1,13
65	5	1.659	1.107	6,65	1,50	1,30
65	7,2	1.830	1.157	6,90	1,58	1,37
65	10	2.059	1.221	7,22	1,69	1,46

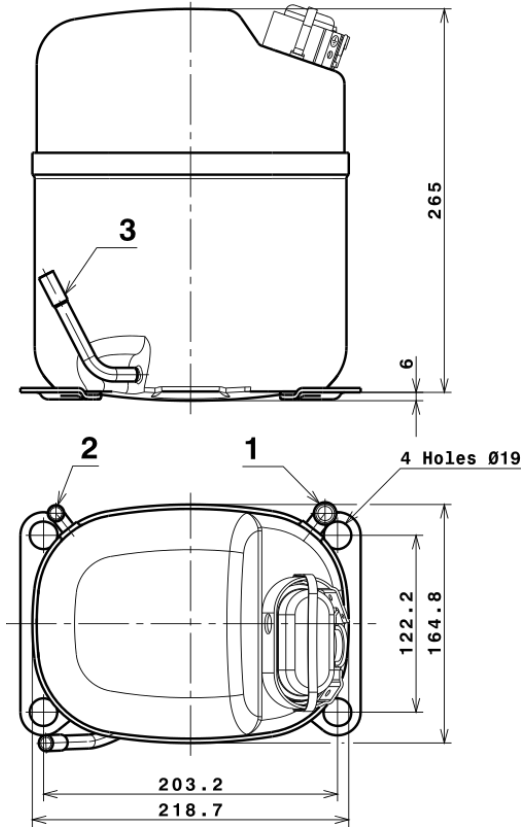
EN12900

X	Cooling Capacity (W)	Consumption (W)	Current (A)	Mass Flow (kg/h)
1	3.689,4992082471	419,3261486330	3,6296917659	64,554665826614
2	125,2607329633	-4,7808665620	-0,0172968695	2,3376524802341
3	-37,5120222629	9,1802488065	0,0401909617	-0,39363844196139
4	0,8034659841	-0,0400052005	0,0005521004	0,023544868927309
5	-0,9167762306	0,4494250822	0,0018120429	-0,0053891711914171

Equation	$x_1 + x_2Te + x_3Tc + x_4Te^2 + x_5TeTc$
----------	---

Technical Data Sheet

COMPRESSOR DIMENSIONS

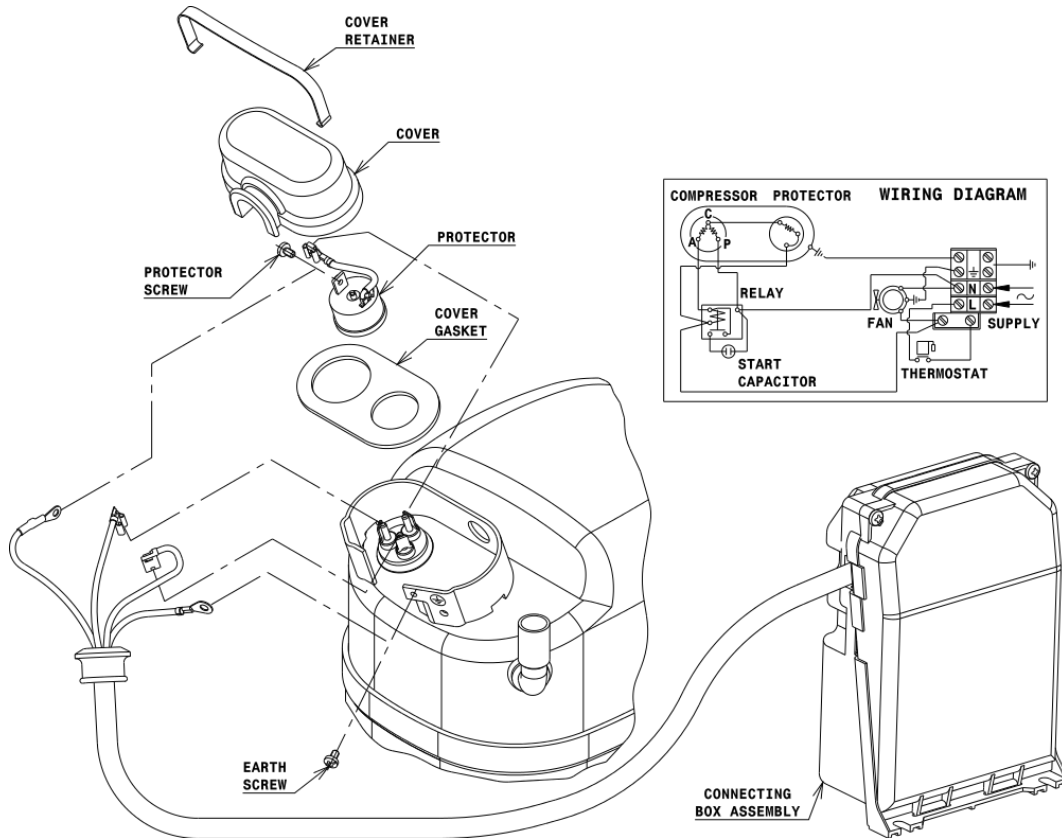


DESIGNATION INTERNAL DIAM.

1	Suction	12,7 mm
2	Service	9,7 mm
3	Discharge	8,0 mm

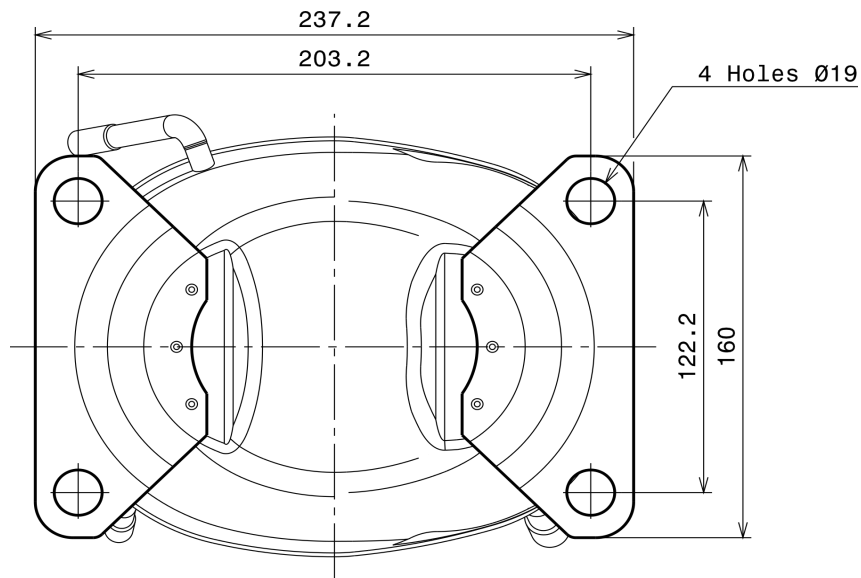
WIRING DIAGRAMS AND ELECTRICAL ASSEMBLY

CSIR CONNECTION (EXTERNAL CONNECTING BOX) (S range)



Technical Data Sheet

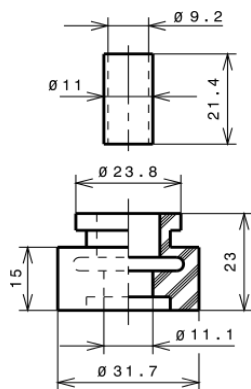
FIXINGS



SILENT BLOCKS (MOUNTING ACCESSORIES)

STANDARD

Ø19 holes (203.2x122.2 net)



SOA

SOA R134a HMBP

