

# P74

## Differential Pressure

The P74 series of differential pressure switches incorporate two opposing pressure elements and an adjustable range setpoint spring with a calibrated scale.

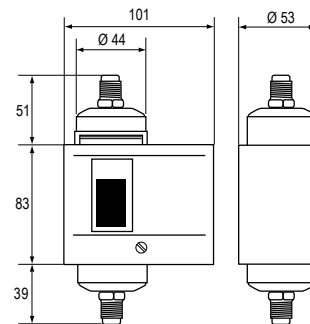
The control switches at the indicated setpoint on an increase in differential pressure and switches back to the normal position when the different pressure decreases to the setpoint less the mechanical switching differential.

### Features

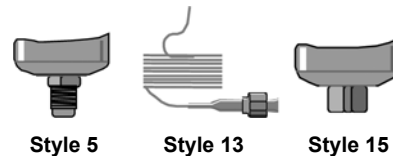
- Heavy duty pressure elements.
- These controls may be used in combination with series P28 lube oil protection control on two compressor, single motor units.

### Application

These controls are designed to sense pressure differences between two points and may be used as operating or limit controls. Typical applications are to detect flow across a chiller or water cooled condenser, to detect flow in a heating system and sensing lube oil pressure differential on refrigeration compressors.



Dimensions in mm



Ordering Codes	Range (bar)	Mech. Differential (bar)	Style	Switch Action	Additional Features		
P74DA-9300	0.6 to 4.8	0.7 to 2 adj.	5	DPST, 10A, contacts Open Low	---		
P74DA-9600			13				
P74EA-9300		0.3 fix.	15	5		SPDT, 5 A, contact Open High	for NH3
P74EA-9600				13			Set 1 bar, concealed adjustment, for NH3
P74EA-9700							
P74EA-9701		0 to 1	0.1 fix.			SPDT, 3 A, contact Open High	for water
P74FA-9701	2 to 8	0.7 fix.			For NH3		