

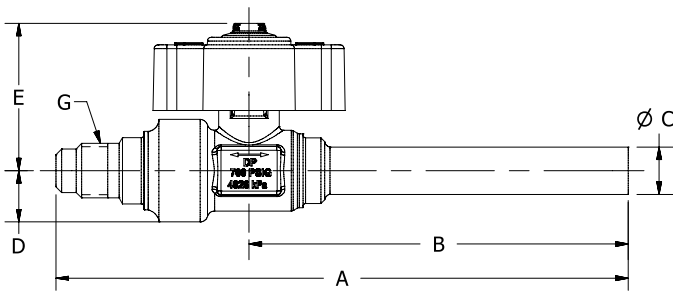
High-Performance Ball Valves

High-Performance Ball Valves – The Green Solution to Minimize Access Port Leaks

- Virtually eliminate refrigerant system leaks.
- 700 PSIG working pressure.
- Designed for refrigeration applications.
- Full open to full close with a ¼ turn.
- Patent pending.
- Durable aluminum handwheel.

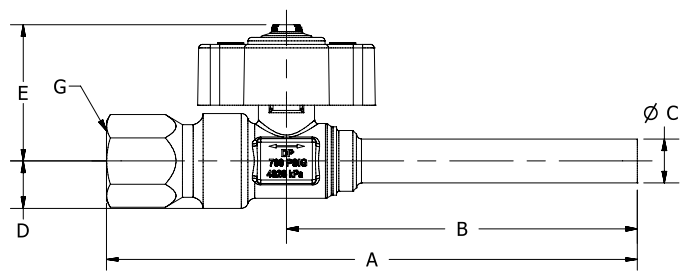
- Forged brass body.
- Refrigeration service temperature from -40° F to +300° F.
- UL®, cUL and CE Compliant.
- For use with CO₂, CFC, HFC and HCFC refrigerants listed in CAN/CSA B52 and ANSI/ASHRAE 15 Section 9.2.

586WBSR-6M – 3/8" Connection



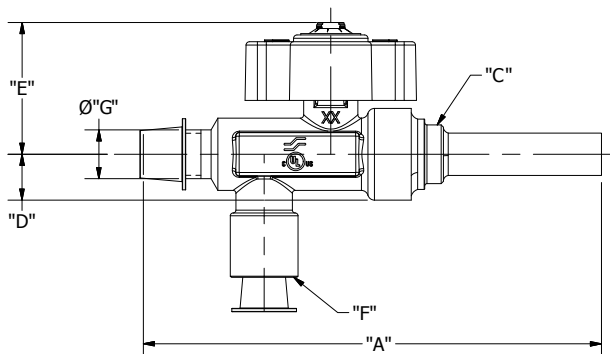
Application: Replaces header access fitting on refrigeration rack systems and condensing units. Provides superior leak protection.

586WBR-6M4FP – 3/8" Connection



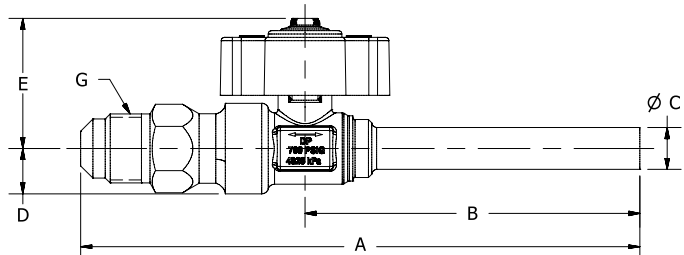
Application: Service port with functionality to connect ancilliary devices.

586WBSR-6M2FP – 3/8" Connection



Application: Service valve with capability to connect pressure transducer and provides full off or on flow for maintenance.

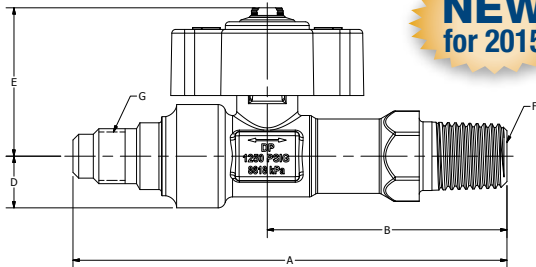
586WBR-6M6FL – 3/8" Connection



Application: Service port with higher flow capabilities to charge or evacuate the system.

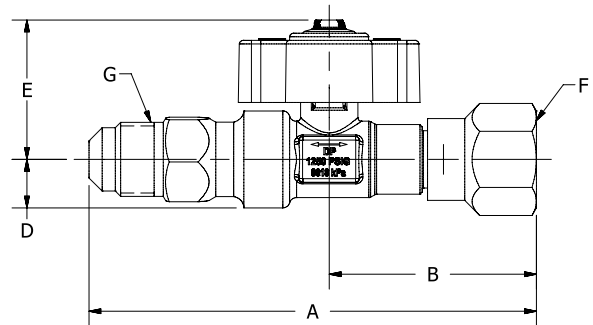
High-Performance Ball Valves – The Green Solution to Minimize Access Port Leaks

586WBSR-4MP – 1/4" Connection



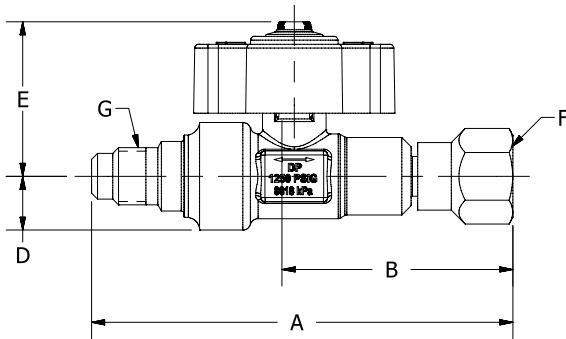
Application: Replaces header access fitting on refrigeration rack system and condensing units.

586WBR-6SW6FL – 3/8" Connection



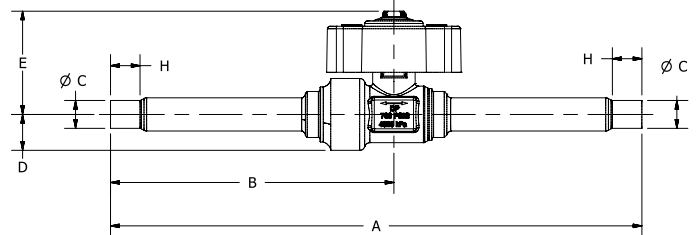
Application: Installs on an existing access port to stop leakage or to service system.

586WBSR-4SW4FL – 1/4" Connection



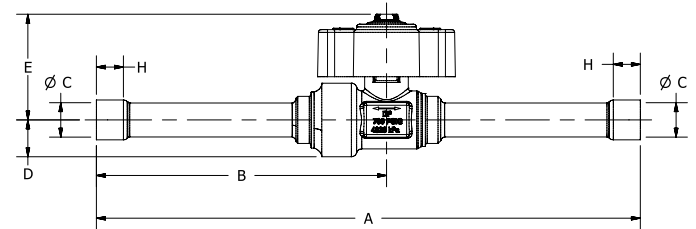
Application: Installs on an existing access port to stop leakage or to service system.

586WBR-4ST – 1/4" Connection



Application: Line set ball valve for high-frequency on/off use where higher flow is required.

586WBR-6ST – 3/8" Connection



Application: Line set ball valve for high-frequency on/off use where higher flow is required.

Part Number	IBCA Number	Dimensions								Weight
		A	B	C - Connection	D	E	F - Connection	G - Connection	H	
586WBSR-4MP	30750	3.41	1.89	—	0.41	1.17	1/4" NPTF	1/4" SAE	—	0.26
586WBSR-6M	29770	4.53	3.00	0.375 ODM	0.41	1.17	1/4" NPTF	1/4" ACCESS	—	0.22
586WBSR-6M2FP	29771	3.96	2.40	0.375 ODM	1.09	1.17	1/8" NPTF	1/4" ACCESS	—	0.29
586WBSR-4SW4FL	29772	3.18	1.65	—	0.41	1.17	1/4" SAE	1/4" ACCESS	—	0.25
586WBR-6SW6FL	29795	3.74	1.73	—	0.41	1.17	3/8" SAE	3/8" SAE	—	0.37
586WBR-6M4FP	29776	4.54	3.00	0.375 ODM	0.41	1.17	—	1/4" NPTF	—	0.23
586WBR-6M6FL	29777	5.01	3.00	0.375 ODM	0.41	1.17	—	3/8" SAE	—	0.29
586WBR-4ST	29774	6.00	3.20	0.25 ODS	0.41	1.17	—	—	0.31	0.19
586WBR-6ST	29775	6.00	3.20	0.375 ODS	0.41	1.17	—	—	0.31	0.19